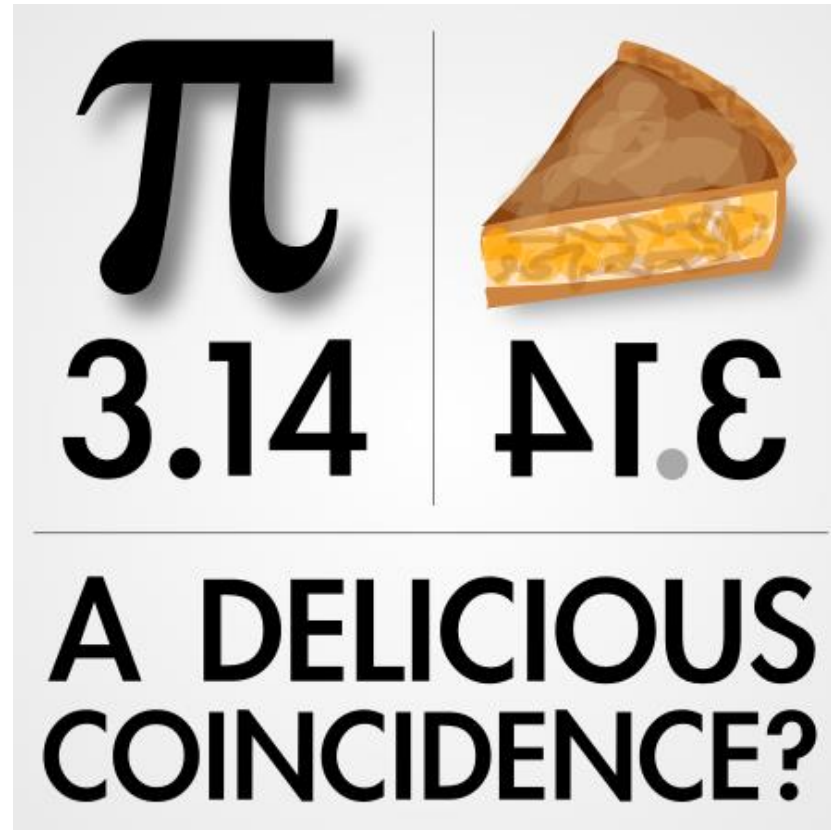


Every Day Is Pi Day!



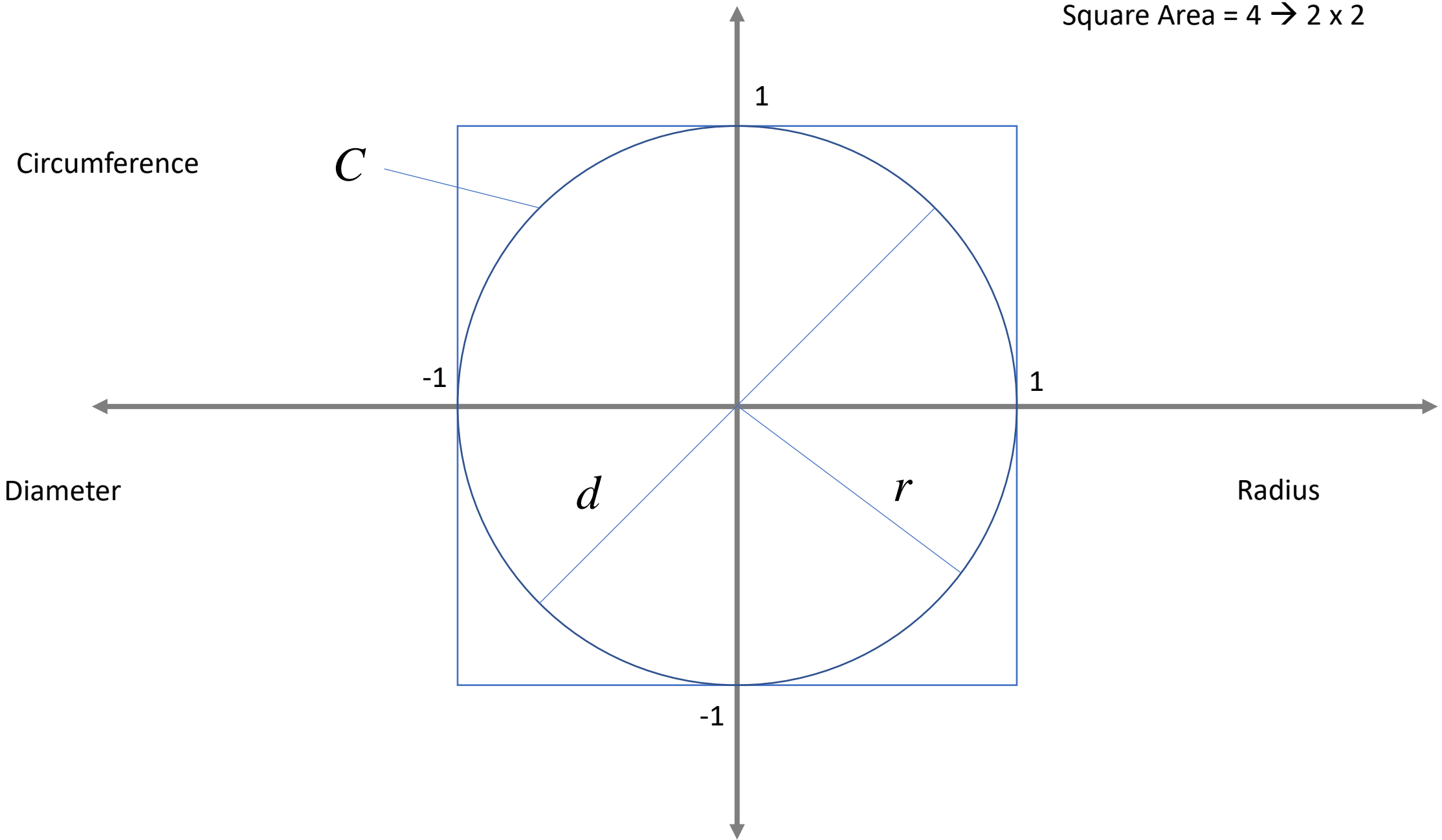
Did You Know That Pi Is Sacred?

Then he (Hiram) made the sea of cast metal. It was **round, ten cubits from brim to brim, and five cubits high, and a line of thirty cubits measured its circumference.**

- *1 Kings 7:23*

Square Perimeter = 8 \rightarrow 2 + 2 + 2 + 2

Square Area = 4 \rightarrow 2 x 2



Circumference

C

Diameter

d

r

Radius

1

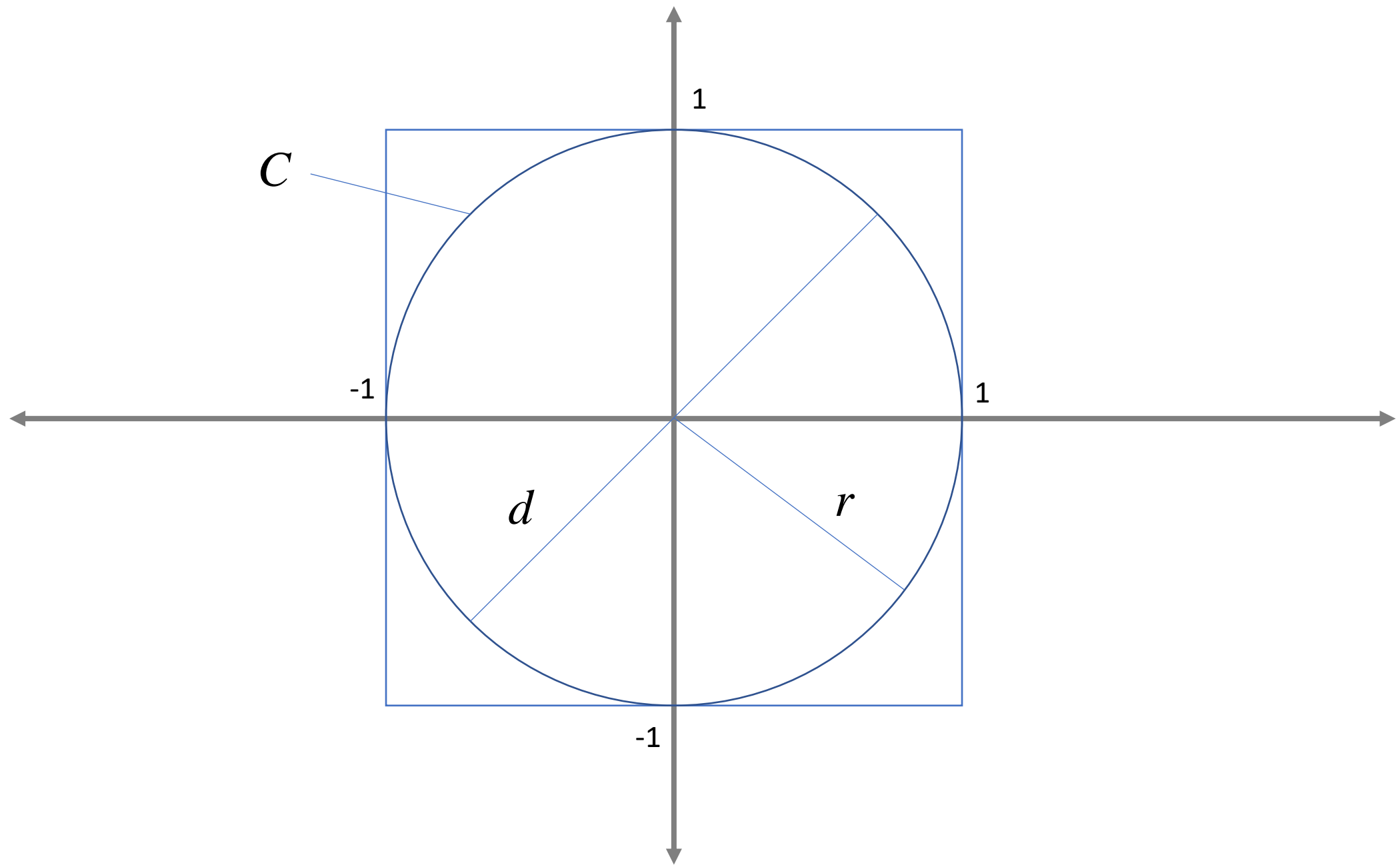
-1

1

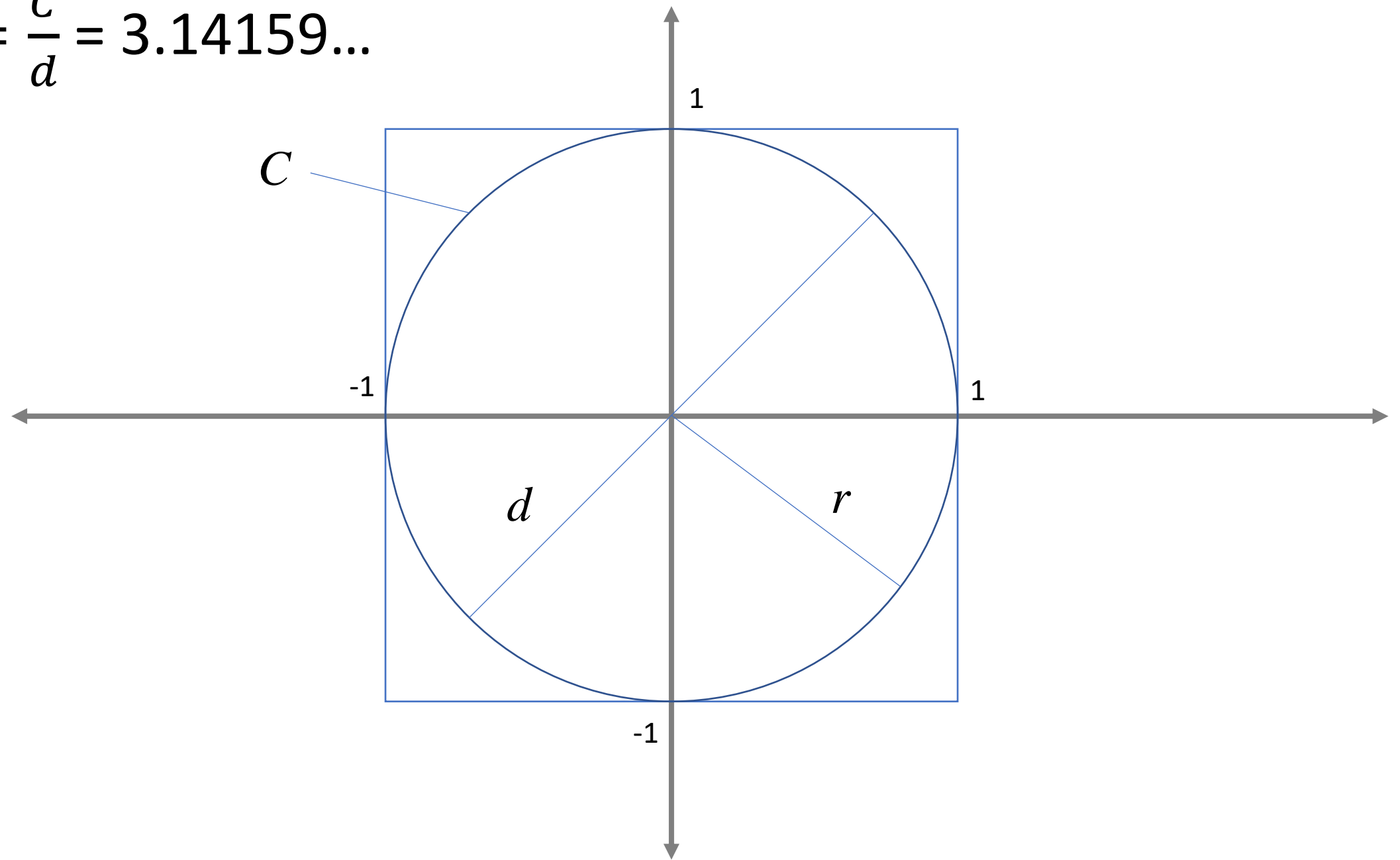
-1

Measuring Circumference and Diameter Expectations


- **C**onversation: Library voice, so that only your partner can hear
- **H**elp: Raise your circle, and Mr. Hern will assist you
- **A**ctivity: Use the tools provided to produce two numbers, your circle's circumference and its diameter, then...
- **M**ovement: Record those two numbers on the poster on the wall
- **P**articipation: Working cooperatively, quietly and quickly.



$$\pi = \frac{C}{d} = 3.14159\dots$$



Did We Learn Something Today? Let's see...

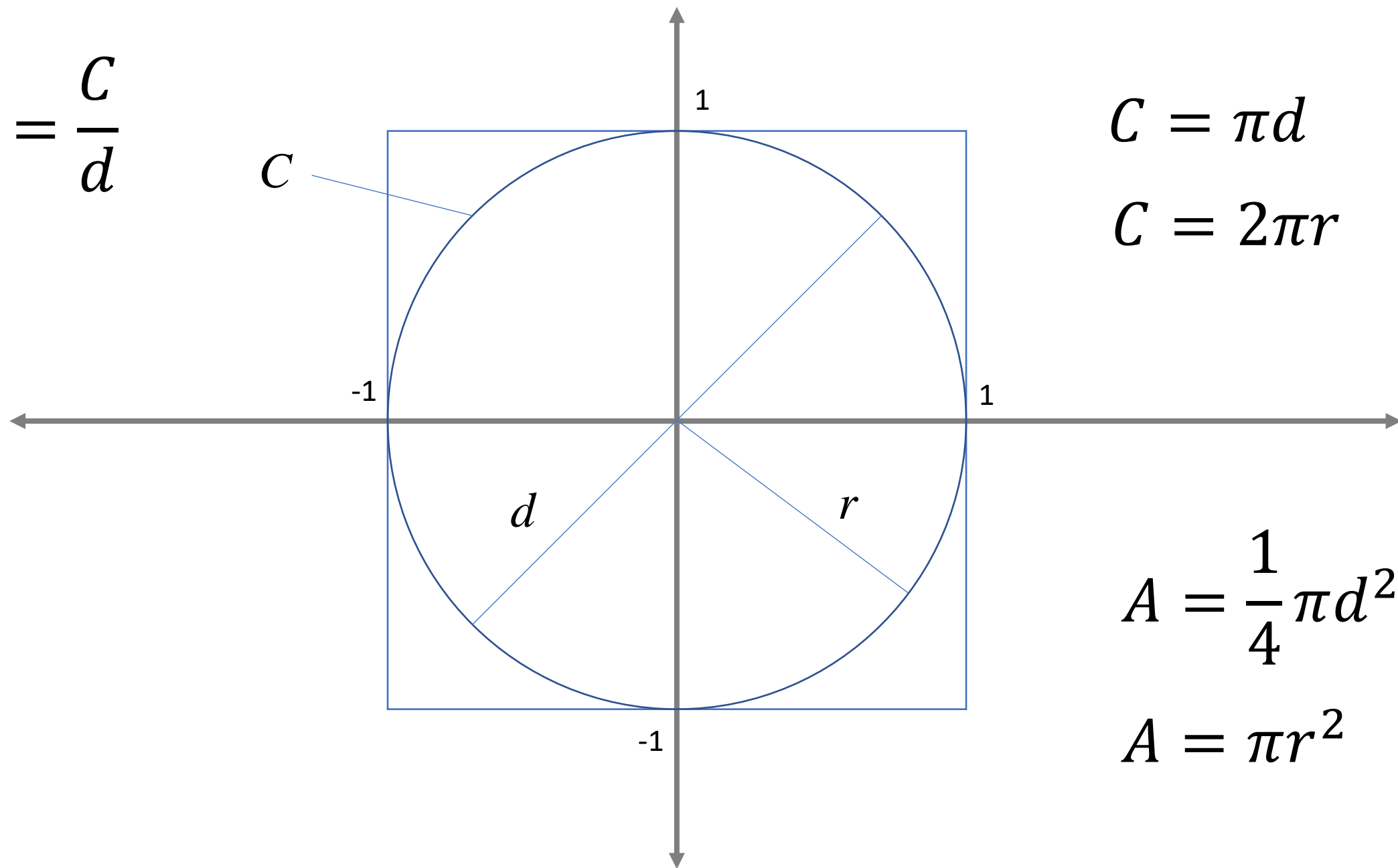
 Circumference is the distance from one edge of the circle to the other, through the center

 Pi is the ratio of a circle's circumference to its diameter

 Pi changes depending upon the size of the circle

 Pie is best served with ice cream

$$\pi = \frac{C}{d}$$



$$C = \pi d$$

$$C = 2\pi r$$

$$A = \frac{1}{4} \pi d^2$$

$$A = \pi r^2$$